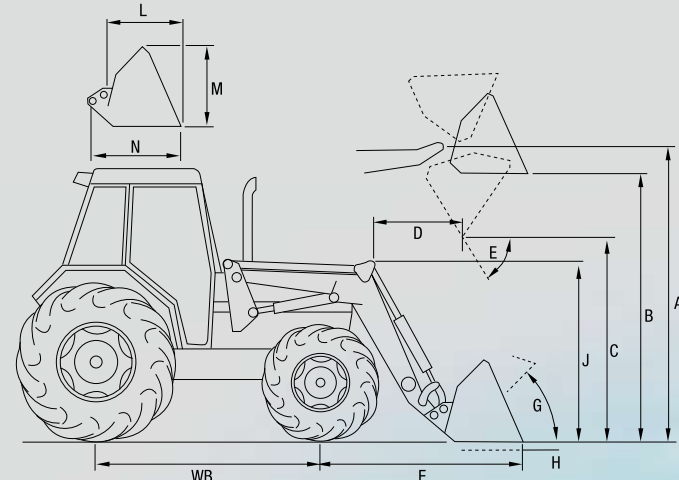


KIOTI
NX5010
NX6010



Loader Specifications

Model	KL155	
A. Maximum lift height to pivot pin	2,794mm	110.0"
B. Maximum lift height under level bucket	2,506mm	98.7"
C. Clearance with bucket dumped	2,026mm	79.8"
D. Reach at maximum lift height	419mm	16.5"
E. Maximum dump angle	60.8°	60.8°
F. Reach with bucket on ground	1,842mm	72.5"
G. Maximum rollback on ground	48.4°	48.4°
H. Digging depth	119mm	4.7"
J. Overall height in carry position	1,617mm	63.7"
L. Bucket depth	592mm	23.3"
M. Bucket height	581mm	22.9"
N. Bucket length	800mm	31.5"
Lift capacity to maximum height-at pivot pin	1,061kg	2,338lb
Breakout force-at pivot pin	2,132kgf	4,700lb
Bucket width	1,700mm	67.0"
Boom cylinder	35X60X700X480Stmm	1.4X2.4X27.6X18.9ST
Bucket cylinder	35X60X998X332Stmm	1.4X2.4X39.3X13.1ST



Specifications



MODEL	NX5010R HST	NX5010C HST	NX6010R HST	NX6010C HST
ENGINE				
Manufacturer	Daedong	Daedong	Daedong	Daedong
Model	4B243LWHR	4B243LWHC	3F183T-TMR3	3F183T-THC3
Engine Power	HP(kw)	49(36.5)	49(36.5)	60(44.7)
Rated revolution	rpm	2600	2600	2600
Type	4cyl. Water cooled diesel engine		3cyl. Water cooled CRDI turbo charger engine	
Total displacement	cc(cu in.)	2,435(148.5)	2,435(148.5)	1,826(111.4)
Fuel tank	ℓ	56	56	56
DRIVE TRAIN				
Transmission	Hydrostatic	Hydrostatic	Hydrostatic	Hydrostatic
Main gear shift x range gear shift	INF. 3	INF. 3	INF. 3	INF. 3
No. of speeds	3	3	3	3
Steering	Hydrostatic Power Steering	Hydrostatic Power Steering	Hydrostatic Power Steering	Hydrostatic Power Steering
Main Brake type	Wet Muti Disc	Wet Muti Disc	Wet Muti Disc	Wet Muti Disc
Mechanical differential lock	Rear Standard	Rear Standard	Rear Standard	Rear Standard
TRAVELING SPEEDS				
Forward	km/h(mph)	0-30.14(0-18.73)	0-30.14(0-18.73)	0-29.38(0-18.26)
Reverse	km/h(mph)	0-30.14(0-18.73)	0-30.14(0-18.73)	0-29.38(0-18.26)
TIRE SIZE				
AG. Tire				
Front	9.5-16	9.5-16	9.5-18	9.5-18
Rear	13.6-26	13.6-26	13.6-28	13.6-28
Industrial Tire				
Front	10-16.5	10-16.5	10-16.5	10-16.5
Rear	14.9-24	14.9-24	14.9-24	14.9-24
HYDRAULIC SYSTEM				
Pump				
Total hydraulic flow	lpm(cc/rev)	67.6(26cc/rev)	67.6(26cc/rev)	67.6(26cc/rev)
Implement Pump	lpm(cc/rev)	36.4(14cc/rev)	36.4(14cc/rev)	36.4(14cc/rev)
Power steering pump	lpm(cc/rev)	31.2(12cc/rev)	31.2(12cc/rev)	31.2(12cc/rev)
3-point hitch type	Category I	Category I	Category II	Category II
Lift Capacity @lift point	kg.f(lbs)	1605(3538)	1605(3538)	1605(3538)
No. of standard remote valves (Rear)	2	2	2	2
PTO				
Rear PTO	rpm	540	540	540
DIMENSIONS				
Overall length (w/o front weight and w/3pt hitch)	mm	3547	3547	3547
Overall width (minimum tread)	mm	1665	1665	1669
Tread width - Front	mm	1352	1352	1355
Tread width - Rear	mm	1324	1324	1334
Overall height	mm	2618	2429	2452
Wheel base	mm	1920	1920	1920
Ground(Crop) clearance	mm	350	350	400
Weight with ROPS	kg.f	1845	1910	1910
Weight with Cabin	kg.f		1988	2063

*NOTE : Specifications and design are subject to change without notice.

Standard Equipment

- Joystic valve
- Auto PTO
- Parking brake
- 7pin socket
- Remote valve(2set)
- Sunvisor(Cab only)
- CD player(Cab only)
- Heater/Air conditioner
- Drawbar
- ROPS
- Tilt steering wheel

Optional Equipment

- Front weights
- Sun canopy



Kioti Tractor / Daedong Industrial. Co., Ltd
1422-5, Seocho-Dong, Seocho-Ku, Seoul, Korea
Tel 82-2-3470-7454-9 • Fax 82-2-3470-7485
www.daedong.co.kr

Dealer Imprint Area

Kioti Tractor / Daedong Ind. Co., Ltd. / AU_NX SERIES(O_01_1311



NX SERIES

KIOTI UTILITY TRACTOR



NX All new advanced TECHNOLOGY!



Modern and elegant "Kioti" design
New Modern and elegant "Kioti" bonnet design enables quick and convenient access for "daily(scan026)" maintenance.



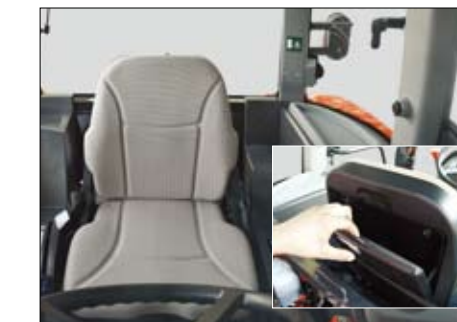
No Stall (HST)

When 'No Stall' function is engaged, the tractor will protect itself from instant engine stall when there are momentary engine overload. The operator can also fix and set maximum speed limit when safe and precise working is needed.



Durable, powerful, Easy HST Transmission

The HST models feature a performance-proven, heavy duty HST that delivers power smoothly and efficiently. The three speed ranged transmission(Hi/Mid/Low) with separate twin pedal makes the job easier, smoother and safer.



Deluxe Suspension Seat

Ergonomically designed-fully adjustable suspension seat with fabric seat allow the operator to ride in comfort no matter what the jobs may be. The seat back incorporates a built in pocket for storing of the operators manual.



Ergonomic Joystick Lever

Ergonomic designed Joystick lever for front loader operation is standard on the NX tractors.

Adjustable Power Steering

With hydrostatic power steering, the tractor has a smooth responsive steering that requires minimal operator effort regardless of the task at hand.

Improved Air Conditioning System

The improved Cooling and Heating system will ensure cooler and warmer working condition for the operator.

Wider and Clearer View

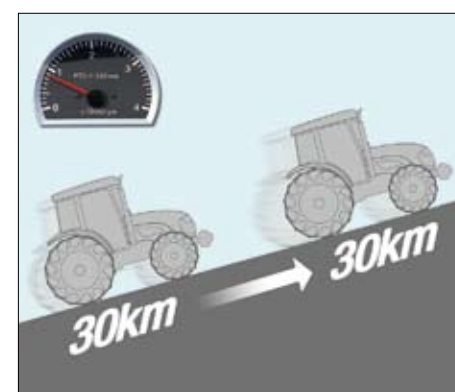
The new comfortable cabin with upgraded interior will minimize operators fatigue even after long days of work. The front glass with improved wiper position and cabin sealing method provides better visibility and improved noise protection.



HST Linked pedal(HST)
When the HST linked button is engaged, the HST pedal and the engine rpm become synchronized.This greatly simplfys tractor operation and reduces fuel consumption.



High Projection Head and Working Lamp
With the new projection head and working lamp, the operator will experience safer and easier operation in the dark operating conditions.



True speed cruise control(HST)
Electronic HST control system enables the tractor to maintain a set speed no matter what the condition of the road or load is. This is very useful feature especially for the works which needs precised speed.